

4

3

2

1

F

F

E

E

D

D

C

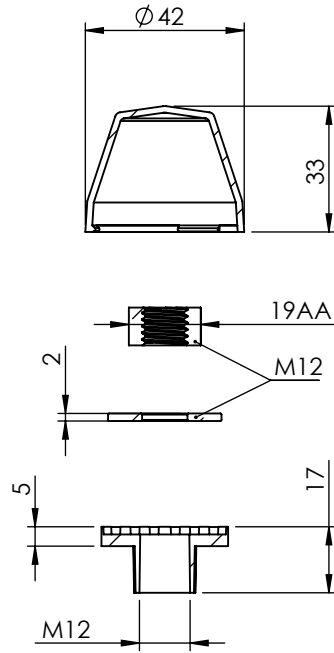
C

B

B

A

A



**izyapi**  
STRONG INSTALLATION SYSTEMS

(TR) ÖLÇÜLENDİRMELER MİLMETREDİR. (EN) ALL DIMENSIONS ARE STATED IN MILIMETER. AĞIRLIK/WEIGHT: 73.06 gr

ÇİZİM NUMARASI/DRAWING NUMBER: GR0010000000000000.000 EU GÖMME REZERVUAR KONİK BURÇ VE TAPA M12

4

3

2

1